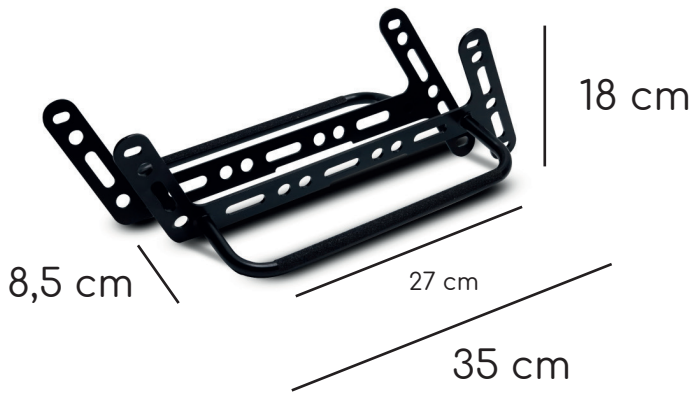


Tools: hex key 4

Included: 3 bolts



1. Softly mount the bolts.

Screw in the bolts (with rounds),
the two toppers first.
Do not tighten yet!



2. Mounting the bottom.

Screw in the bottom bolt softly.

Make sure all screws are in the
correct place and the rack feels
sturdy. Tighten all screws.